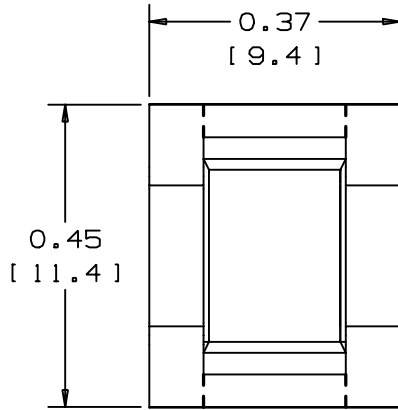
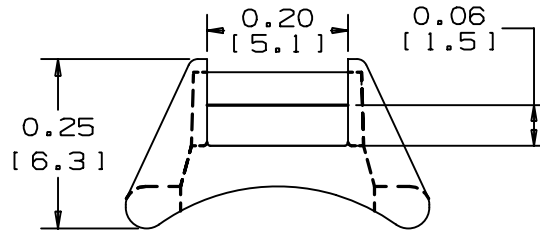
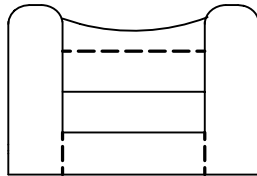


THIS COPY IS PROVIDED ON A RESTRICTED BASIS AND IS NOT TO BE USED IN ANY WAY DETRIMENTAL TO THE INTERESTS OF PANDUIT CORP.



PANDUIT PART NUMBER*	USE WITH ANY OF THESE CABLE TIE CROSS-SECTIONS	RECOMMENDED MAXIMUM BUNDLE DIA.	WEIGHT lbs/100 pcs (g)/100 pcs
CSCS	MINITURE INTERMEDIATE STANDARD	0.625 [15.9]	0.05 [22]



NOTES:

- *1. SEE CURRENT PRICE SHEET FOR PART NUMBER SUFFIX DESIGNATION FOR PACKAGE SIZE.

DIMENSIONS IN BRACKETS ARE METRIC [mm]

CAD FILENAME/LAYERS

G00239DH_PB_CSCS_02

PANDUIT

CORP.

TINLEY PARK, ILLINOIS

CSCS
CABLE SPACER CROSS STANDARD

UNLESS OTHERWISE SPECIFIED,
DIMENSIONAL TOLERANCES ARE:
(.X) ±0.05 [1.3] (.XXX) ±0.010 [0.25]
(.XX) ±0.02 [0.5] ANGLES ± 5°

UNLESS OTHERWISE SPECIFIED,
ALL DIMENSIONS ARE GIVEN
IN INCHES, THIRD ANGLE PROJECTION.

REV	DATE	BY	CHK	DESCRIPTION	ECN	R	CUST	SUP
2	11-4-05	TMSA		REVISED LENGTH & WIDTH DIMENSIONS	GB0239DH	2		
1	6/18/01	LGG		UPDATED DRAWING FOR WEB	GB0239DH	1		
R	6/13/96	CJG		INITIAL RELEASE	GB0239DH	R		

DRAWN BY	CJG
DATE	6/13/96
CHK'D	

MAT'L:
NYLON 6/6

SCALE 4/1

DRAWING NO.
GB0239DH

DWG
A
SIZE